

COMETA GATE

IoT-COMETA NETWORK CONNECTION GATEWAY

DESCRIPTION

COMETA GATES are the communicating nodes that form IoT-COMETA network and are linked to all the surrounding connected objects, including AS4 clocks.

Made up of several COMETA GATES, IoT-COMETA network is a low-power, long-range wireless mesh network using a free (royalty-free) frequency band, which makes it possible to deploy a robust, bi-directional remote management system at lower cost, scalable and open to any kind of connected objects.

The server application has the ability to centralize and analyze all data emanating from the network and connected objects, thus allowing alarm management.



ADVANTAGES

- Large radio range
- Low power consumption
- Bidirectional communication
- Scalable radio network
- Open to any type of connected objects
- Server access via PC or tablet



POSSIBLE APPLICATIONS

- Remote transfer of AS4 clock programs, both in the downlink or the uplink direction, for update or visit management purposes.
- Supervision of objects added to IoT-COMETA network
- «Economical» scalability of the network with CO2, VOC, UV, pollution, snow-water height sensors ...
- Alarm management if the information is reported as «non-compliant» to the expected state.

COMETA GATE



TECHNICAL SPECIFICATIONS

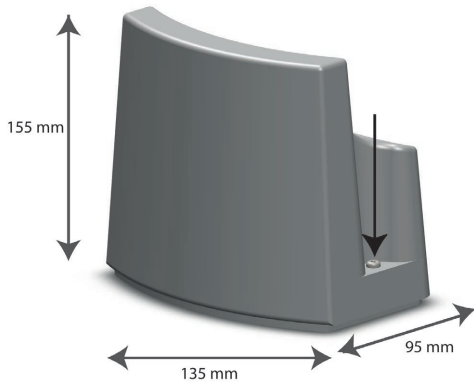
Connectivity:	
Network communication	Secure LoRa
local communication	Bluetooth (mini 4.0)
Server communication	GSM Data WiFi
Electrical features:	
Power supply	85 to 265 Vac - 50 / 60 Hz
Optional power supply	10 to 30 Vdc
Consumption	Less than 4 W
Physical features:	
Temperature range	-20 °C to +60° C
Sealing	IP 55
Dimensions	155 x 95 x 135 mm
Conformity	Class II  
Warranty	6 years

COMETA GATE



DIAGRAMS

Figure 1: Fitting dimensions

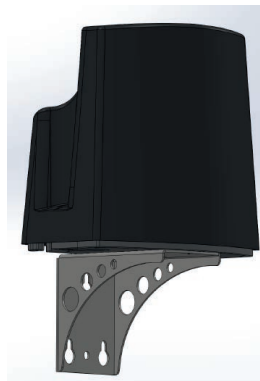


Figures 2: Mounting accessories

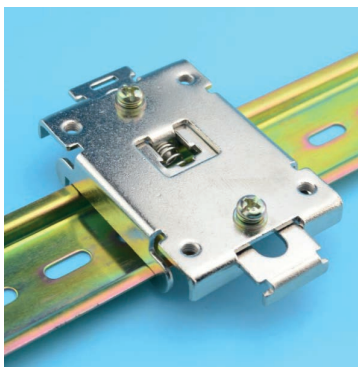
Floor mounting option



Wall mounting option



DIN rail mounting option



Pole mounting option

